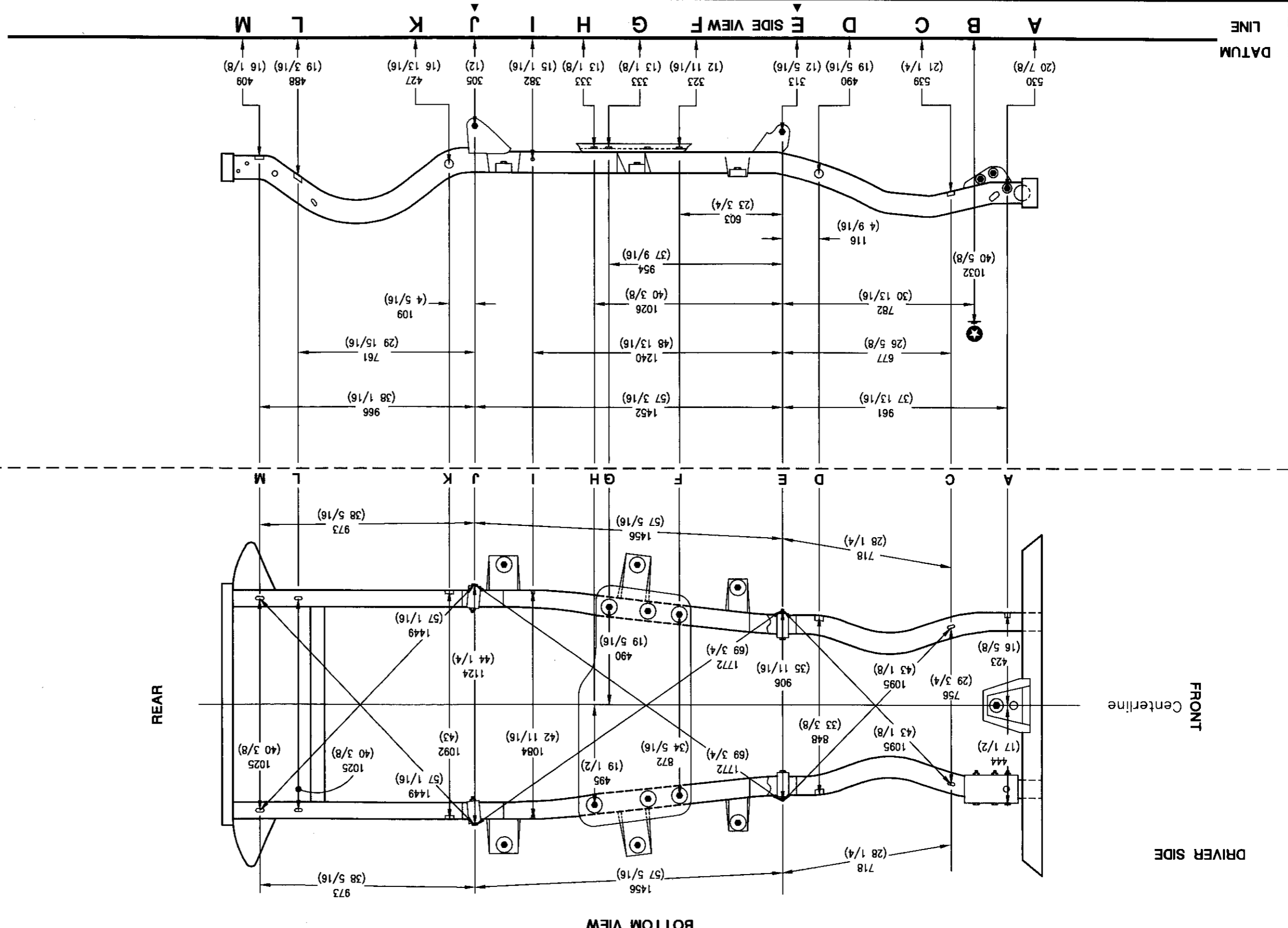


PLEASE SEE "MEASURING EXPLANATION" AT FRONT OF MANUAL
 WHEELBASE 2372 (93 3/8)

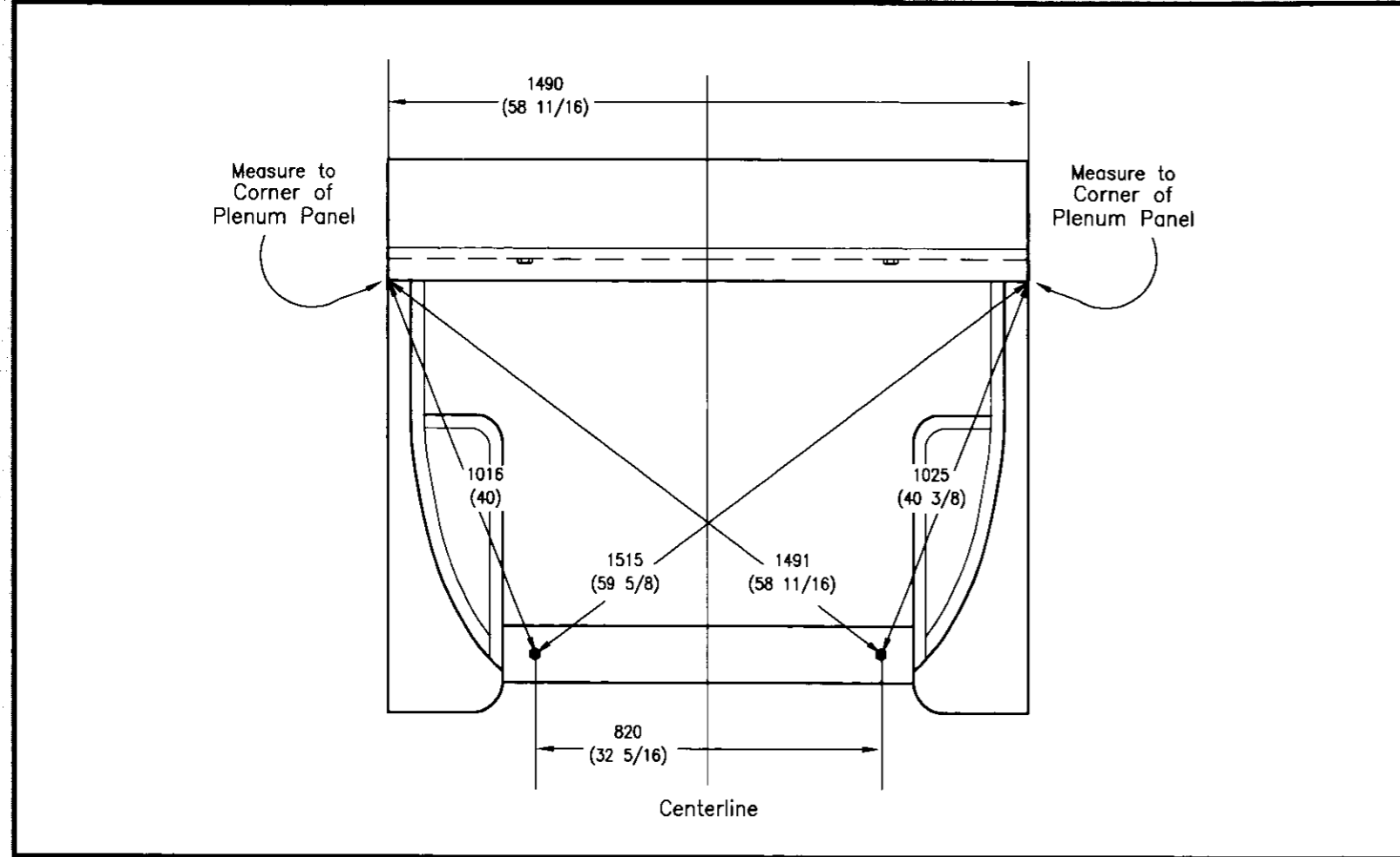
Dimensions from Centerline are Combined When Equal
 Divide by 2 for Individual Dimensions from Centerline
 All Bolts and Holes are Measured to Center
 Unless Otherwise Described in "Measuring Points"

- MEASURING POINTS**
- A - Head of Bolt - Steering Box Mount
 - B - Center of 22 (7/8) Hole
 - C - Core Support Mount
 - D - Center of 20 x 27 (13/16 x 1 1/16) Slot
 - E - Center of 36 (1 7/16) Hole
 - F - Tip of Bolt - Control Arm Mount
 - G - Head of Bolt - Skid Plate Mount
 - H - Head of Bolt - Skid Plate Mount
 - I - Head of Bolt - Skid Plate Mount
 - J - Head of Bolt - Control Arm Mount
 - K - Head of Bolt - Control Arm Mount
 - L - Center of 36 (1 7/16) Hole
 - M - Center of 26 x 31 (1 x 1 1/4) Slot
 - PS - Passenger Side
 - DS - Driver Side
 - BOLTS
 - RIVETS
 - HOLES
 - ▲ - DATUM LINE ZERO POINT
 - ★ - LOWER BALL JOINT - LOADED
 - ☆ - LOWER BALL JOINT - UNLOADED
 - ⊗ - WIDTH DIMENSION ON ENGINE COM-
 - PARALLEL VIEW - SEE BACK OF PAGE
 - FRM - MEASUREMENT TO SURFACE OF FRAME (PARTS REMOVED)
 - bolt - MEASUREMENT TO BOLT

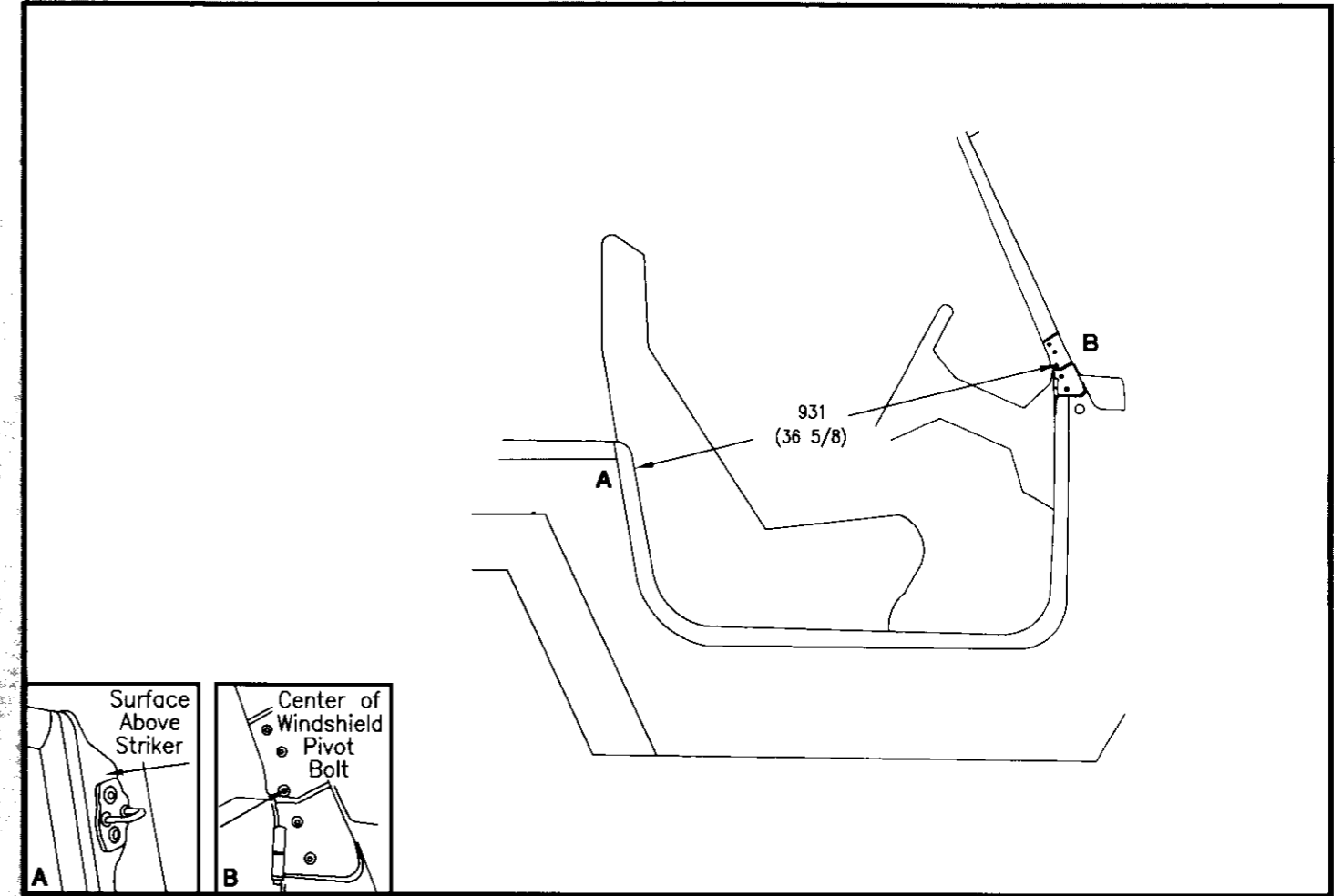
Tightening Specifications
 Not Available
 at Time of Printing



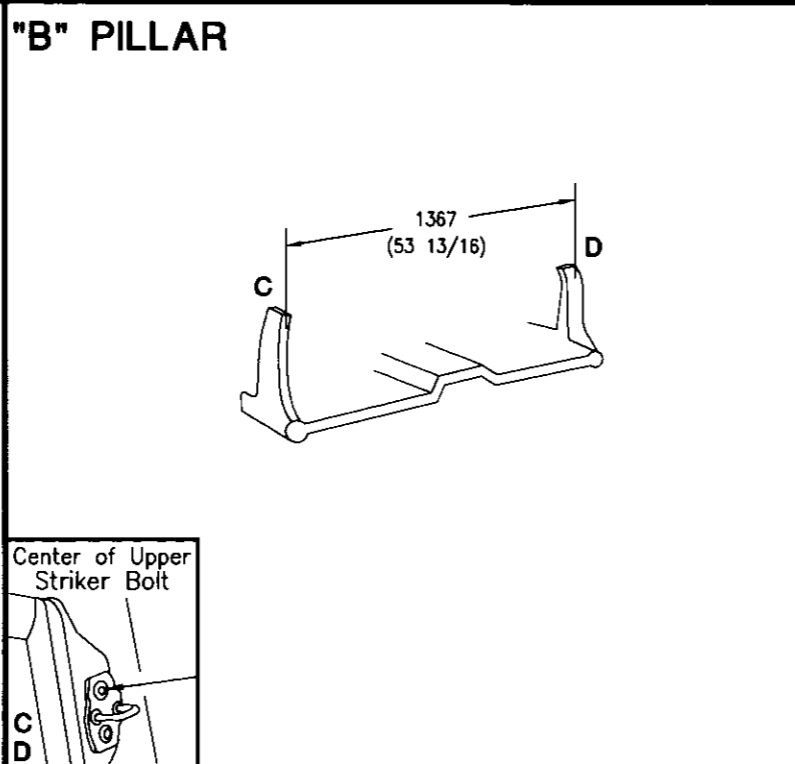
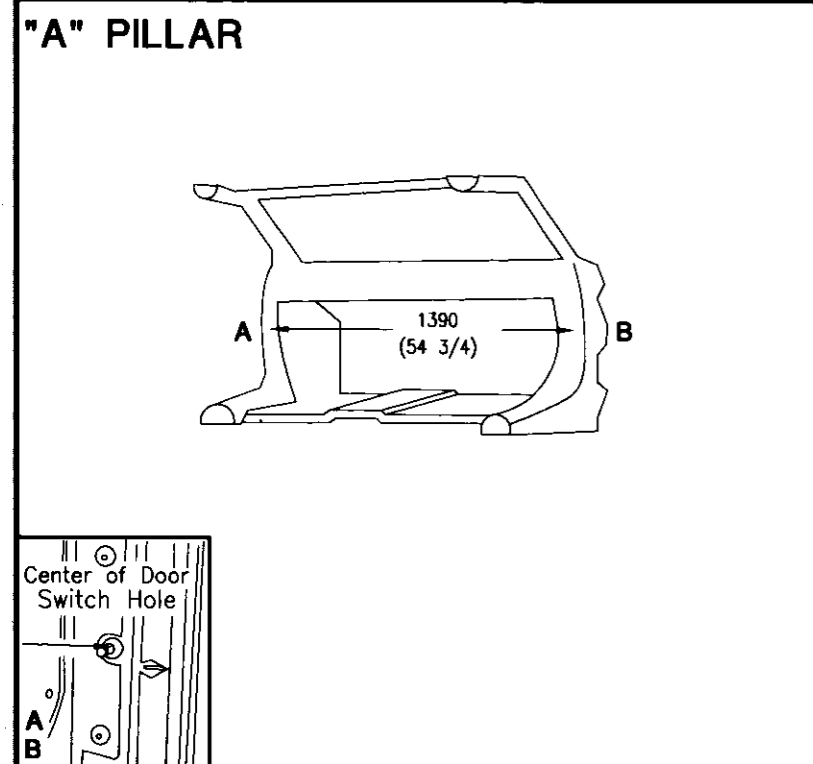
ENGINE COMPARTMENT



DOOR OPENING



INSIDE PASSENGER COMPARTMENT



TAILGATE OPENING

